

Hybrid DSP – Embedded Sensor Processing

Specialists in semi-custom payload boards and licensable IP aligned with the SOSA Technical Standard for demanding defence, aerospace and industrial programs

Hardware Products

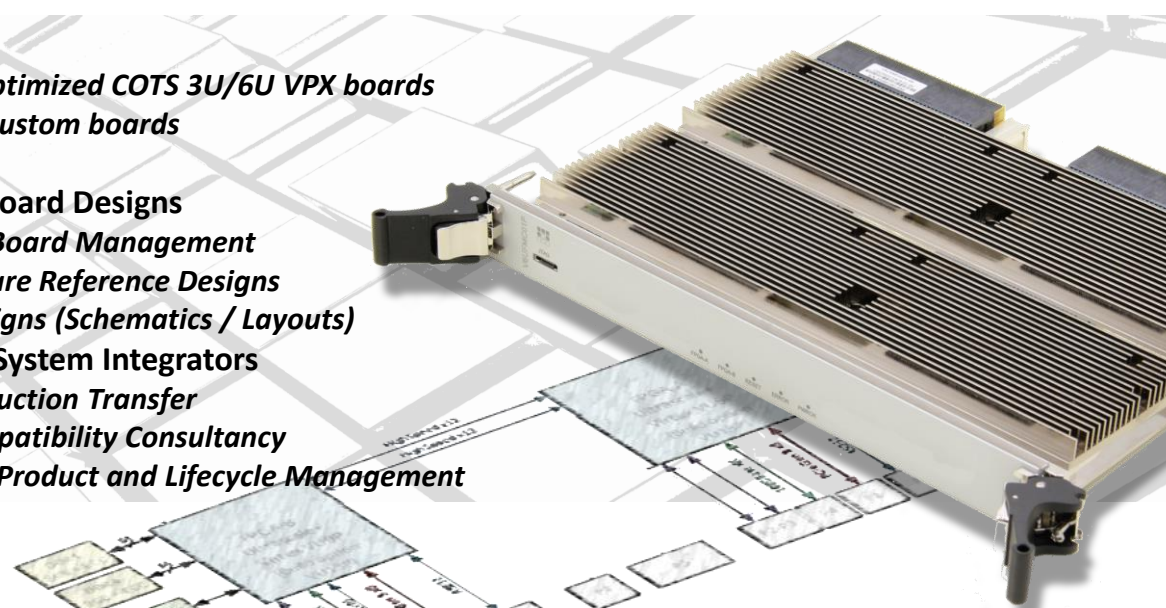
- Range of Program Optimized COTS 3U/6U VPX boards
- Modified-COTS and Custom boards
- OEM Test Fixtures

IP Licensing for OEM Board Designs

- VITA46.11 IMPI and Board Management
- Firmware and Software Reference Designs
- Board Reference Designs (Schematics / Layouts)

Services for OEM and System Integrators

- Technology and Production Transfer
- Compliance and Compatibility Consultancy
- M-COTS and Custom Product and Lifecycle Management



OVERVIEW

Products
COTS

IP - Software
Test + Reference

IP - Firmware
Test + Reference

Products
Modified-COTS

Modular
VPX / SOSA™
Aligned
Solutions*

IP - Hardware
Schematics
Layouts

Services
Production Transfer
Product Management

Services
Sales cycle support
Technical Consultancy

IP – Software
VITA46.11 IPMI
BMC



DESCRIPTION

COMPANY

Hybrid DSP Systems was founded in the Netherlands in 2018. With more than 30 years experience, Nicholas Kopp and Ingmar van Klink set out to provide system integrators with an efficient, secure and scalable service for the board level products that - for logistical or technical reasons - cannot be provided as Commercial Off The Shelf (COTS). In VPX systems this typically involves (RF) I/O and FPGA boards. Customers wish to reduce the overhead required for ensuring compliance and compatibility with the various standards and the rest of the system; as well as development, production and product management of these application specific boards.



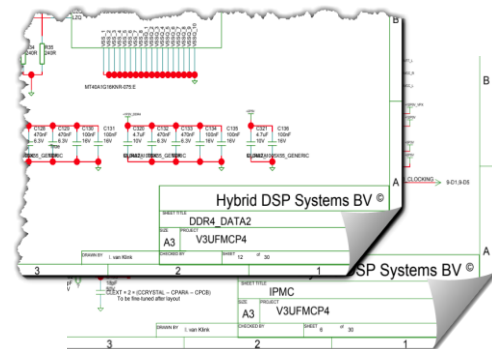
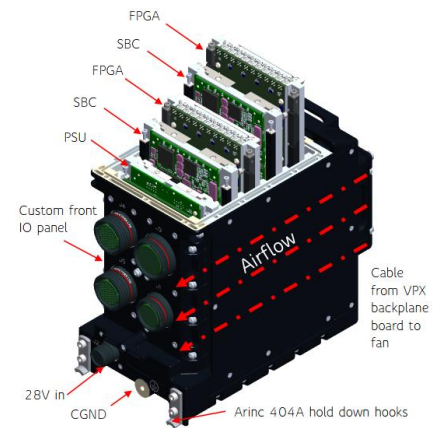
Modified-COTS REALITY CHECK

Modified-COTS (M-COTS) seeks to strike a balance between COTS and the fully custom engineering services route. A COTS supplier can base a solution on a proven core design with a roadmap that is common to multiple derivative M-COTS boards. The customer specific requirements are then implemented, for instance: clocks, digitizers, waveform generators, optical transceivers, cooling solution, or production cost savings.

Unfortunately, the M-COTS development aspect frequently ends up in a no-man's land lost between the COTS product sales teams, the system integration sales team and the customer's technical groups.

The more critical and specific the M-COTS boards are to the overall success of the program, the more important it is to have the actual M-COTS development engineers involved in every step of the sales process. Ultimately, we end up missing the close detail driven collaboration between an engineering services company and the customer that outsources the custom board development. The apparent cost-savings can come at a price.

Hybrid DSP's scalable M-COTS service ensures your sales and technical teams always have access to the most up-to-date IP, documentation, change logs, project status and dynamic risk/cost analyses. We do all of this via secure private git repositories – and yes you can submit pull-requests, too. This reduces your and our overhead, lowers risk and maximizes the efficiency of in-person or video meetings.



CONTACT

Contact Hybrid DSP to discuss how we can accelerate your next development.

** Products and solutions were developed in alignment with the SOSA™ Technical Standard*

1. SOSA and logo design and The Open Group Certification Mark™ are trademarks of The Open Group in the United States and other countries.

2. The VPX logo and related marks are trademarks of VITA

3. IP Licensing is via HDSP-IP-Trade BV. Hybrid DSP Systems BV and HDSP-IP-Trade BV are wholly-owned by HDSP Holding BV.

